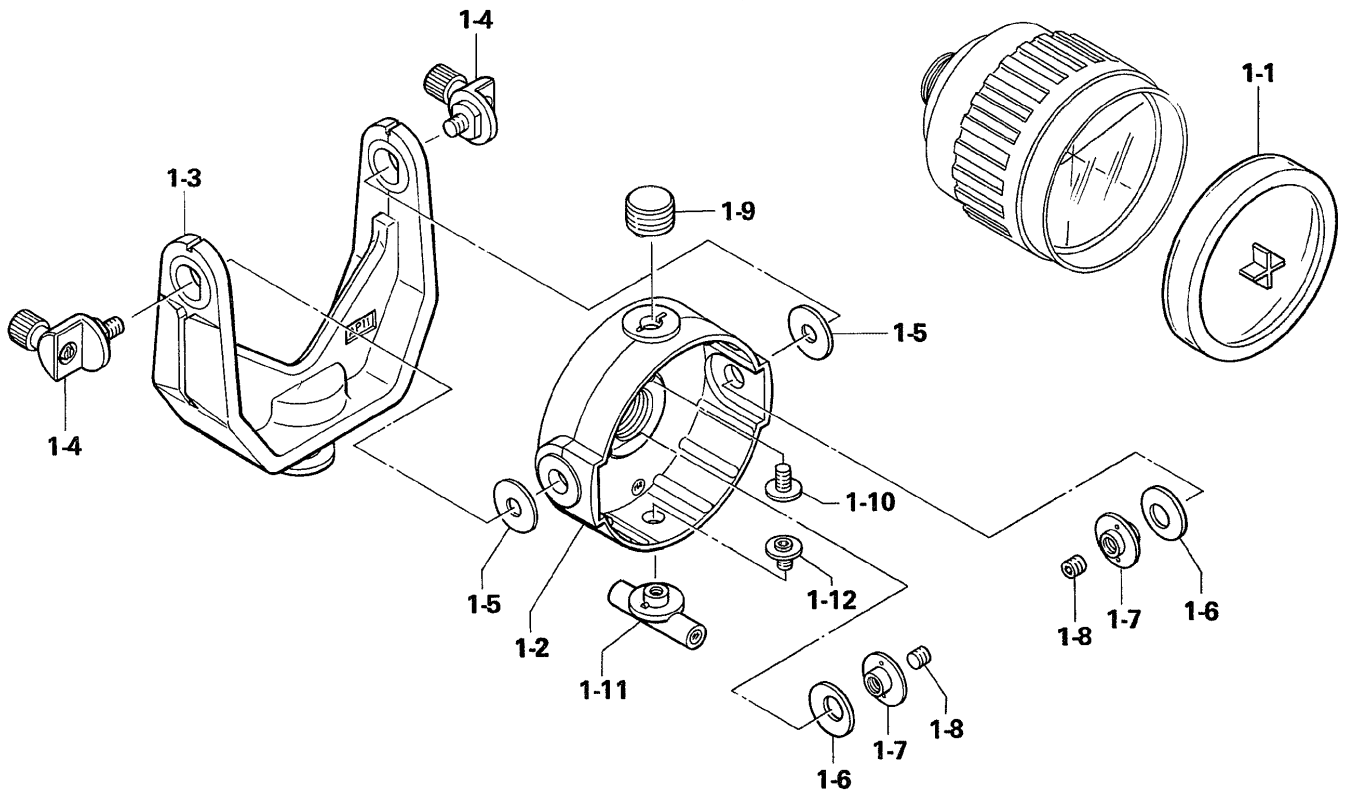
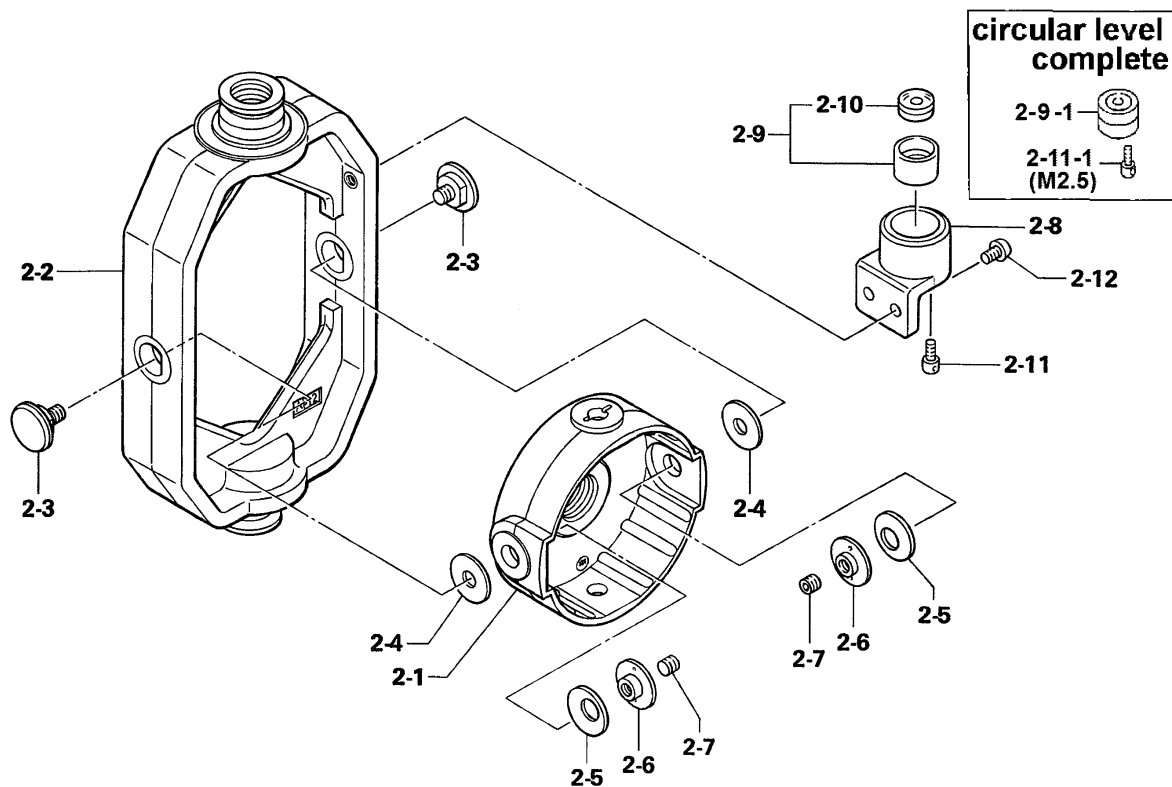


[Prism AP01, Single Tilting Mount AP11]



Illust No.	Part Code	Part Name	Price	Note
1-1	396-5004	lens cap		
1-2	396-5201	housing pivot		
1-3	396-5202	yoke		
1-4	396-5200B	tangent lock screw complete		
1-5	396-5210	washer		discontinue
1-6	HW2092-01	spring washer	<i>P</i>	
1-7	396-5206	pivot screw		
1-8	SK3660050G40	screw, 6.0x5.0mm	<i>P</i>	
1-9	396-5205	pole screw		
1-10	396-5216	screw, pole screw		
1-11	70811-S01	finder		
1-12	396-5215	screw, finder		

[Double Yoke Tilting Mount AP12]



Illust No.	Part Code	Part Name	Price	Note
2-1	396-5201	housing pivot		
2-2	396-5502	yoke		
2-3	396-5505	pivot insert		
2-4	396-5210	washer		
2-5	HW2092-01	spring washer	P	
2-6	396-5206	pivot screw		
2-7	SK3660050G40	screw, 6.0x5.0mm	P	
2-8	396-5509	circular level housing		
2-9	GB3013-U01	circular level complete		discontinue
2-9-1	GB3013-U011	circular level complete		2001/11~
2-10	GB3013-01001	circular level vial		
2-11	ST8123-012	special screw	P	
2-11-1	851-1118	adjusting screw, circular level	P	2001/11~
2-12	SK1240060F40	screw, 4.0x6.0mm	P	