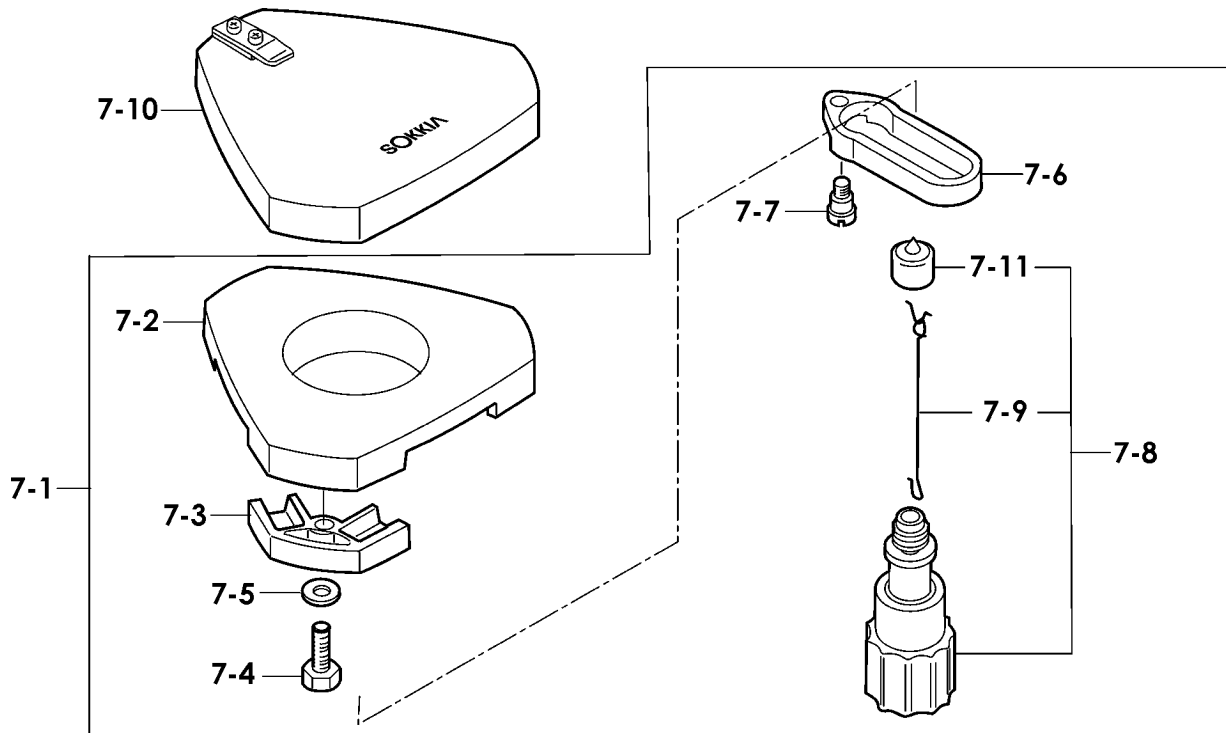


shoulder belt is made from vinyl

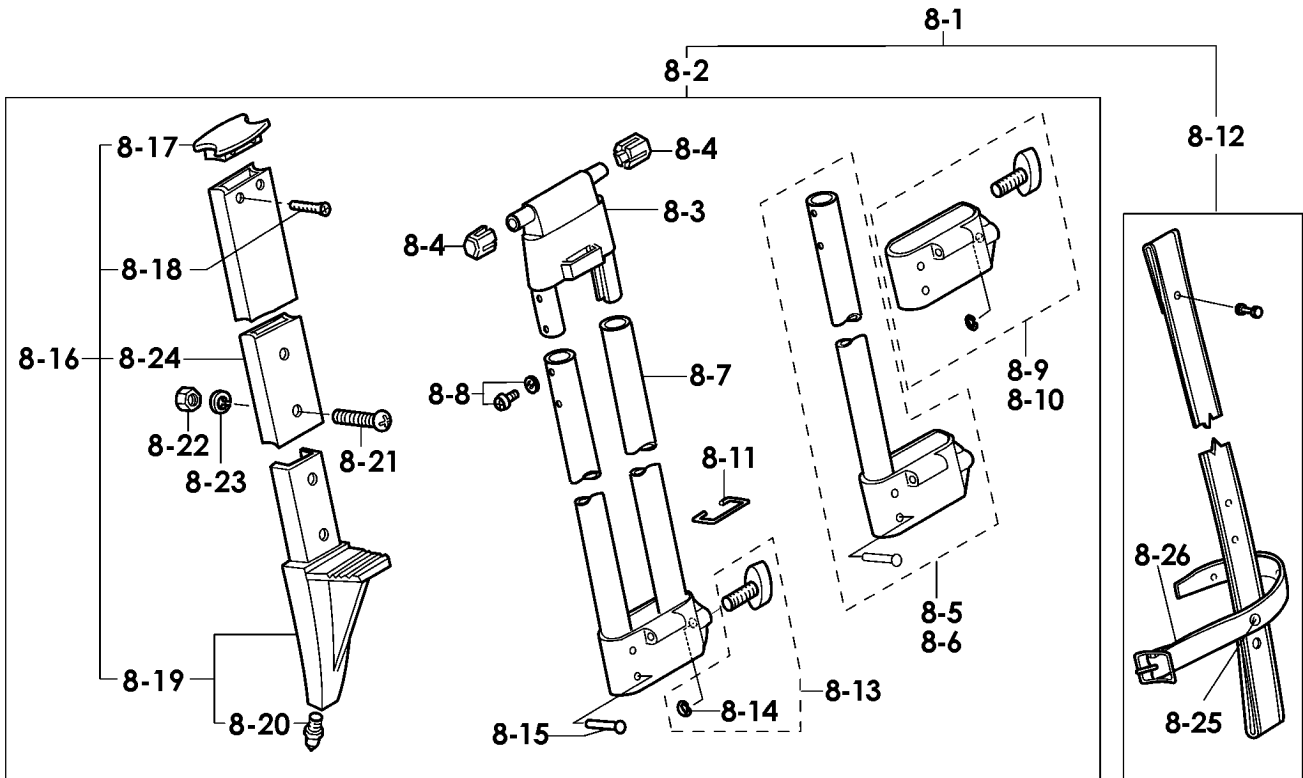
[Aluminum Extension Tripod PFA1]



Illust No.	Part Code	Part Name	Price	Note
7-1	11425-U03	tripod head complete		
7-2	PFA1-0301	tripod head		
7-3	PFA1-0302	hinge holder		
7-4	PFA1-108-22	screw, hinge holder	<i>P</i>	
7-5	PFA1-109-1	M8 washer	<i>P</i>	
7-6	PFA1-0304	centering guide		
7-7	PFA1-0305	screw, centering guide	<i>P</i>	
7-8	11425-U07	centering bolt complete		
7-9	PFA1-0306	plumb bob hook	<i>P</i>	
7-10	11425-U04	tripod head cover complete		discontinue
7-11	PSA1-0510	cap, centering bolt	<i>P</i>	

shoulder belt is made from vinyl

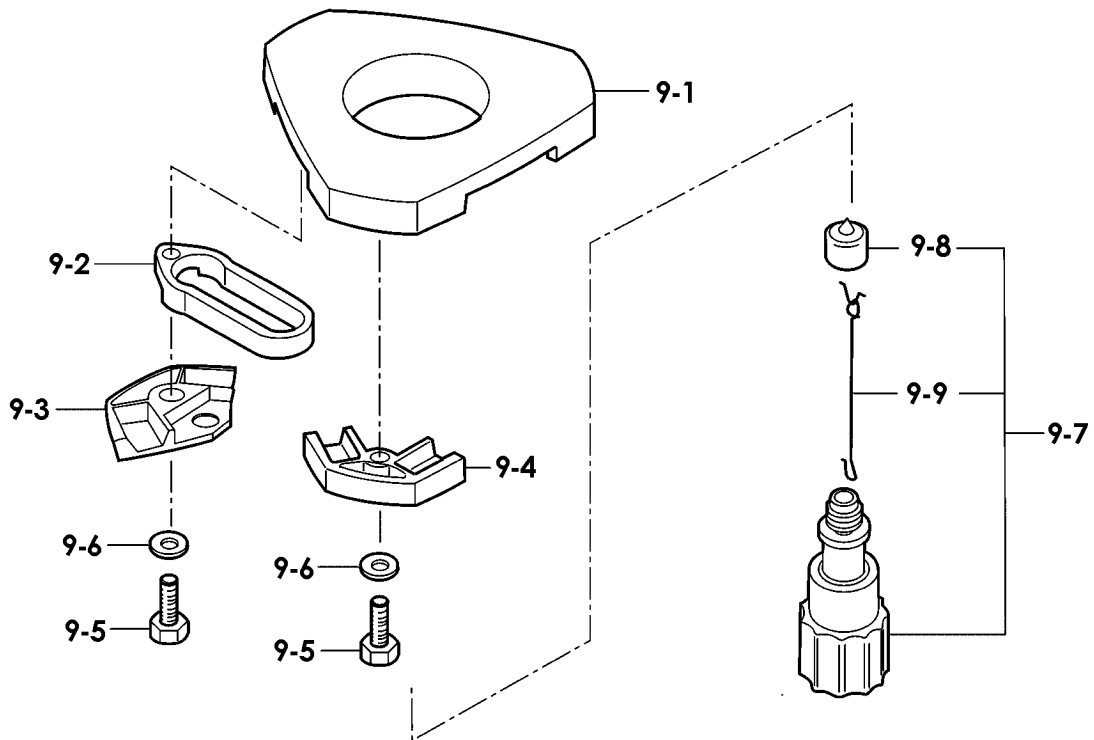
[Aluminum Extension Tripod PFA1]



Illust No.	Part Code	Part Name	Price	Note
8-1	11425-U05	tripod leg complete (w/shoulder strap)		
8-2	11425-U06	tripod leg complete (w/o shoulder strap)		
8-3	PFA1-T0201	hinge bracket		
8-4	PFA1-T0202	hinge bushing	P	
8-5	11425-U08	guide leg A complete (w/clamp cpl. A)		
8-6	11425-U11	guide leg B complete (w/clamp cpl. B)		
8-7	PFA1-T0203	guide leg		
8-8	SK7250100F16	screw, 5.0x10.0mm	P	
8-9	11425-U12	clamp complete A (w/hook hole)		
8-10	11425-U14	clamp complete B (w/o hook hole)		
8-11	PFA1-T0212	hook	P	
8-12	11425-U10	strap		vinyl
8-13	11425-U15	clamp screw complete		
8-14	PFA1-T0207W	E ring	P	
8-15	PFA1-T0213	rivet A	P	
8-16	11425-U09	sliding leg (w/tripod shoe complete)		
8-17	PFA1-T0209	cap, sliding leg		
8-18	SK6540080F17	screw, 4.0x8.0mm	P	
8-19	11425-U13	tripod shoe complete		
8-20	PFA1-T0211	tripod shoe nail		
8-21	PFA1-T2217	bolt, tripod shoe	P	
8-22	PFA1-T2218	nut, tripod shoe	P	
8-23	PFA1-T2219	spring washer, tripod shoe	P	
8-24	PFA1-T2202	sliding leg		
8-25	PFA1-002	tripod belt stopper	P	
8-26	PFA1-001	tripod belt		

shoulder belt is made from cloth

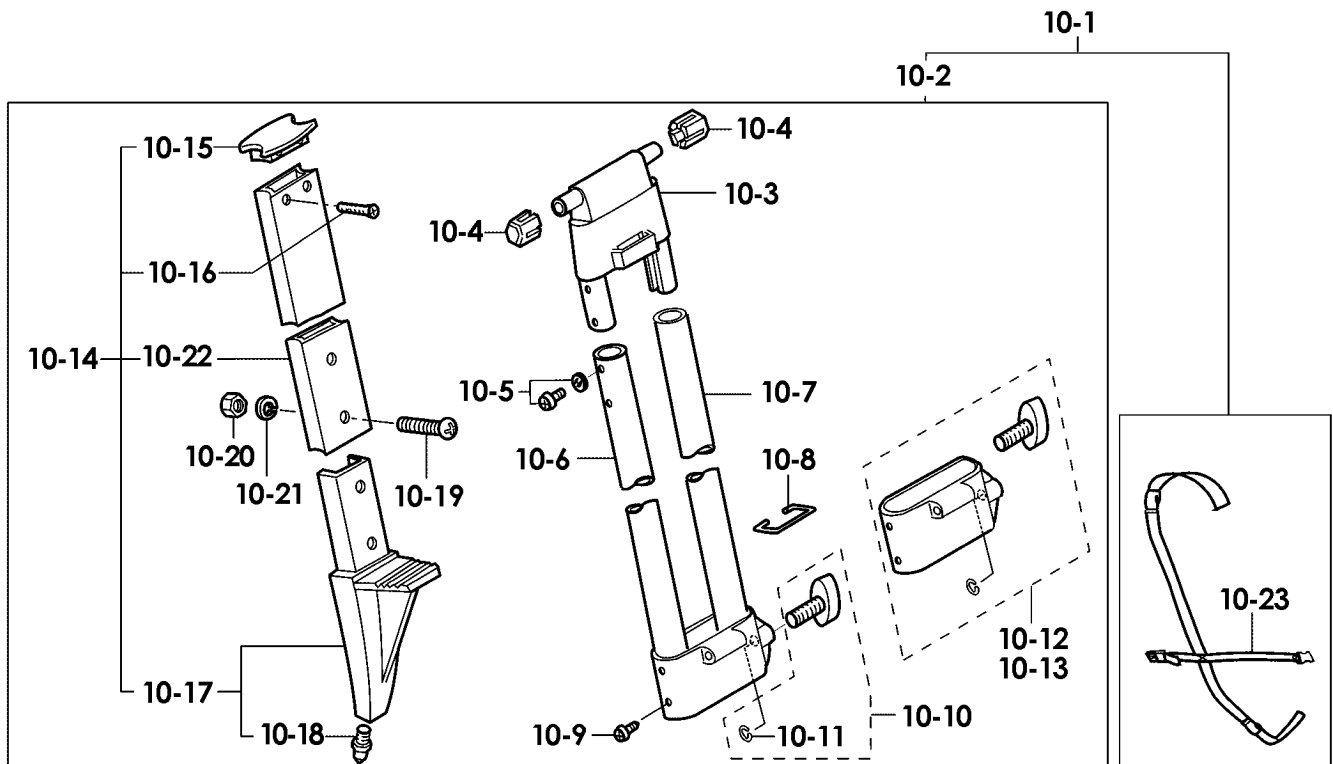
[Aluminum Extension Tripod PFA1]



Illust No.	Part Code	Part Name	Price	Note
9-1	PFA1-N0301-1	tripod head		
9-2	PFA1-0304	centering guide		
9-3	PFA1-N0302A	hinge holder A		
9-4	PFA1-N0302	hinge holder		
9-5	PFA1-108-22	screw, hinge holder	P	
9-6	PFA1-109-1	M8 washer	P	
9-7	11425-U07	centering bolt complete		
9-8	PFA1-N0510	centering knob cap	P	
9-9	PFA1-0306	plumb bob hook	P	

shoulder belt is made from cloth

[Aluminum Extension Tripod PFA1]



Illust No.	Part Code	Part Name	Price	Note
10-1	11425-U05-1	tripod leg complete w/shoulder strap		
10-2	11425-U06-1	tripod leg complete		
10-3	PFA1-T0201	hinge bracket		
10-4	PFA1-NT0202	nylon bushing	P	
10-5	PFA1-NF33	screw, leg dowel w/washer	P	
10-6	PFA1-NT02031	guide leg w/clamp frame hole		
10-7	PFA1-T0203	guide leg		
10-8	PFA1-T0212	hook	P	
10-9	PFA1-NF05	screw, clamp frame	P	
10-10	11425-U15	clamp screw complete		
10-11	PFA1-T0207W	E ring	P	
10-12	PFA1-NT0204A	clamp frame w/hook hole		
10-13	PFA1-NT0204B	clamp frame		
10-14	11425-U09	sliding leg (w/tripod shoe complete)		
10-15	PFA1-T0209	cap, sliding leg		
10-16	SK6540080F17	screw, 4.0x8.0mm	P	
10-17	11425-U13	tripod shoe complete		
10-18	PFA1-T0211	tripod shoe nail		
10-19	PFA1-T2217	bolt, tripod shoe	P	
10-20	PFA1-T2218	nut, tripod shoe	P	
10-21	PFA1-T2219	spring washer, tripod shoe	P	
10-22	PFA1-T2202	sliding leg		
10-23	PFA1-NT0215	shoulder belt		cloth