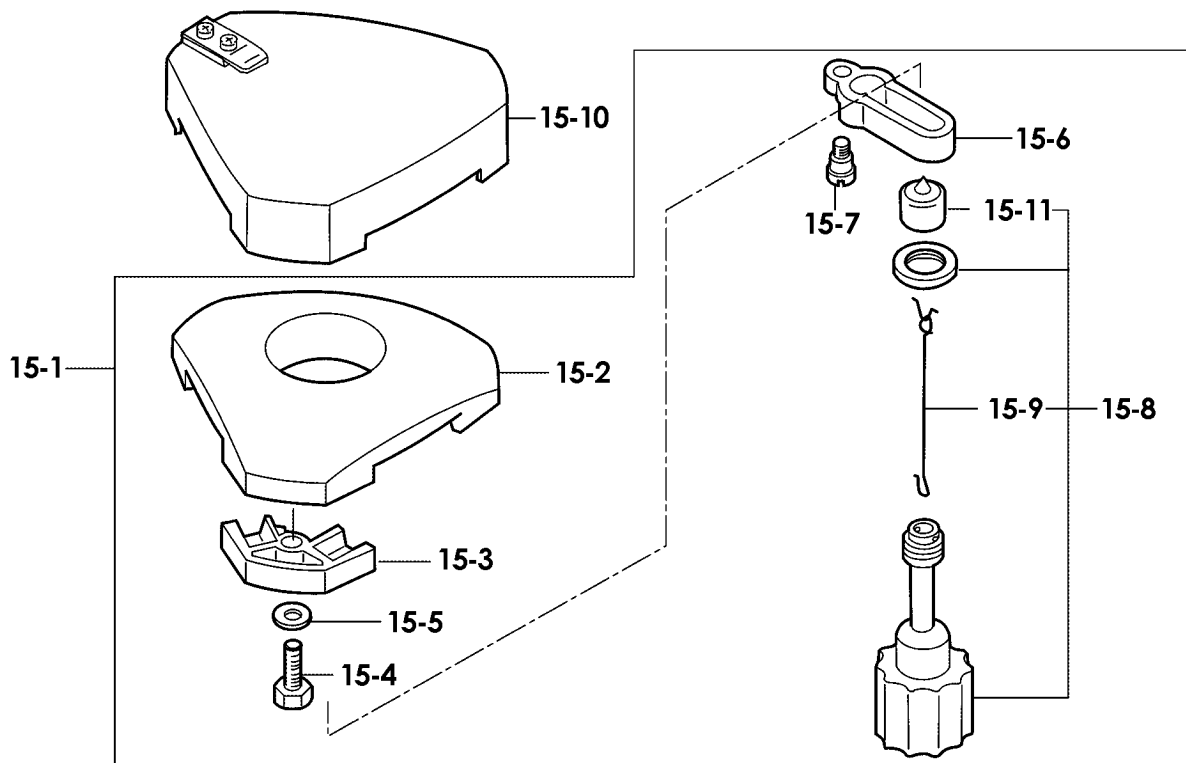


shoulder belt is made from vinyl

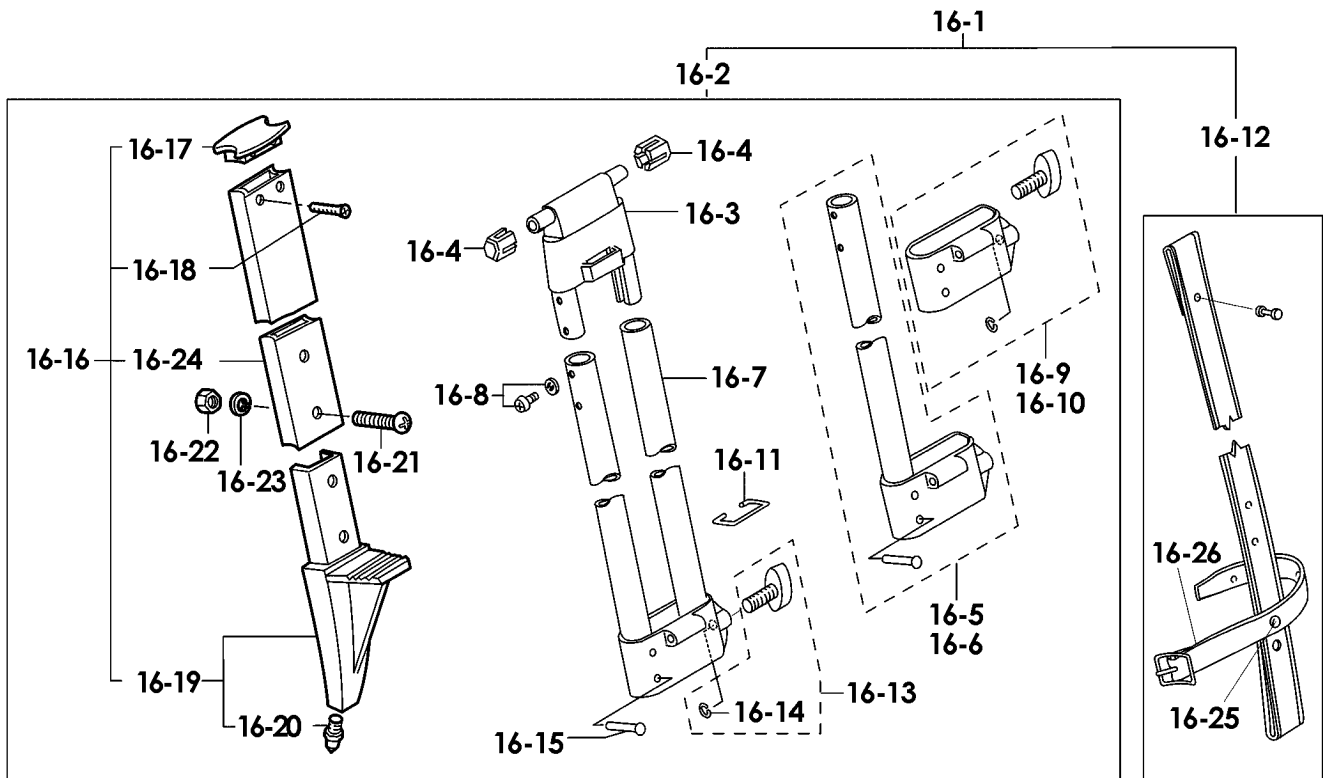
[Aluminum Extension Tripod PSA1]



Illust No.	Part Code	Part Name	Price	Note
15-1	11427-U03	tripod head complete		
15-2	PSA1-0501	tripod head		
15-3	PSA1-0502	hinge holder		
15-4	PFA1-108-22	screw, hinge holder	<i>P</i>	
15-5	PFA1-109-1	M8 washer	<i>P</i>	
15-6	PSA1-0504	centering guide		
15-7	PFA1-0305	screw, centering guide	<i>P</i>	
15-8	11427-U07	centering bolt complete		
15-9	PFA1-0306	plumb bob hook	<i>P</i>	
15-10	11427-U04	tripod head cover complete		discontinue
15-11	PSA1-0510	cap, centering bolt	<i>P</i>	

shoulder belt is made from vinyl

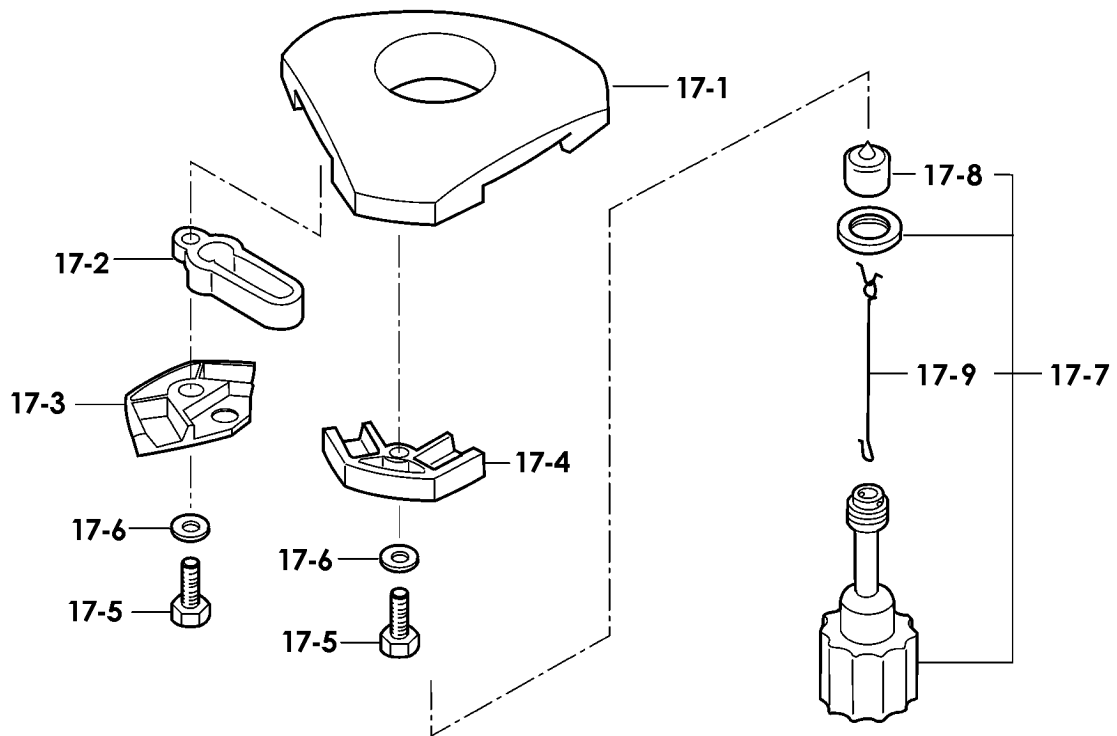
[Aluminum Extension Tripod PSA1]



Illust No.	Part Code	Part Name	Price	Note
16-1	11425-U05	tripod leg complete (w/shoulder strap)		
16-2	11425-U06	tripod leg complete (w/o shoulder strap)		
16-3	PFA1-T0201	hinge bracket		
16-4	PFA1-T0202	hinge bushing	P	
16-5	11425-U08	guide leg A complete (w/clamp cpl. A)		
16-6	11425-U11	guide leg B complete (w/clamp cpl. B)		
16-7	PFA1-T0203	guide leg		
16-8	SK7250100F16	screw, 5.0x10.0mm	P	
16-9	11425-U12	clamp complete A (w/hook hole)		
16-10	11425-U14	clamp complete B (w/o hook hole)		
16-11	PFA1-T0212	hook	P	
16-12	11425-U10	strap		vinyl
16-13	11425-U15	clamp screw complete		
16-14	PFA1-T0207W	E ring	P	
16-15	PFA1-T0213	rivet A	P	
16-16	11425-U09	sliding leg (w/tripod shoe complete)		
16-17	PFA1-T0209	cap, sliding leg		
16-18	SK6540080F17	screw, 4.0x8.0mm	P	
16-19	11425-U13	tripod shoe complete		
16-20	PFA1-T0211	tripod shoe nail		
16-21	PFA1-T2217	bolt, tripod shoe	P	
16-22	PFA1-T2218	nut, tripod shoe	P	
16-23	PFA1-T2219	spring washer, tripod shoe	P	
16-24	PFA1-T2202	sliding leg		
16-25	PFA1-002	tripod belt stopper	P	
16-26	PFA1-001	tripod belt		

shoulder belt is made from cloth

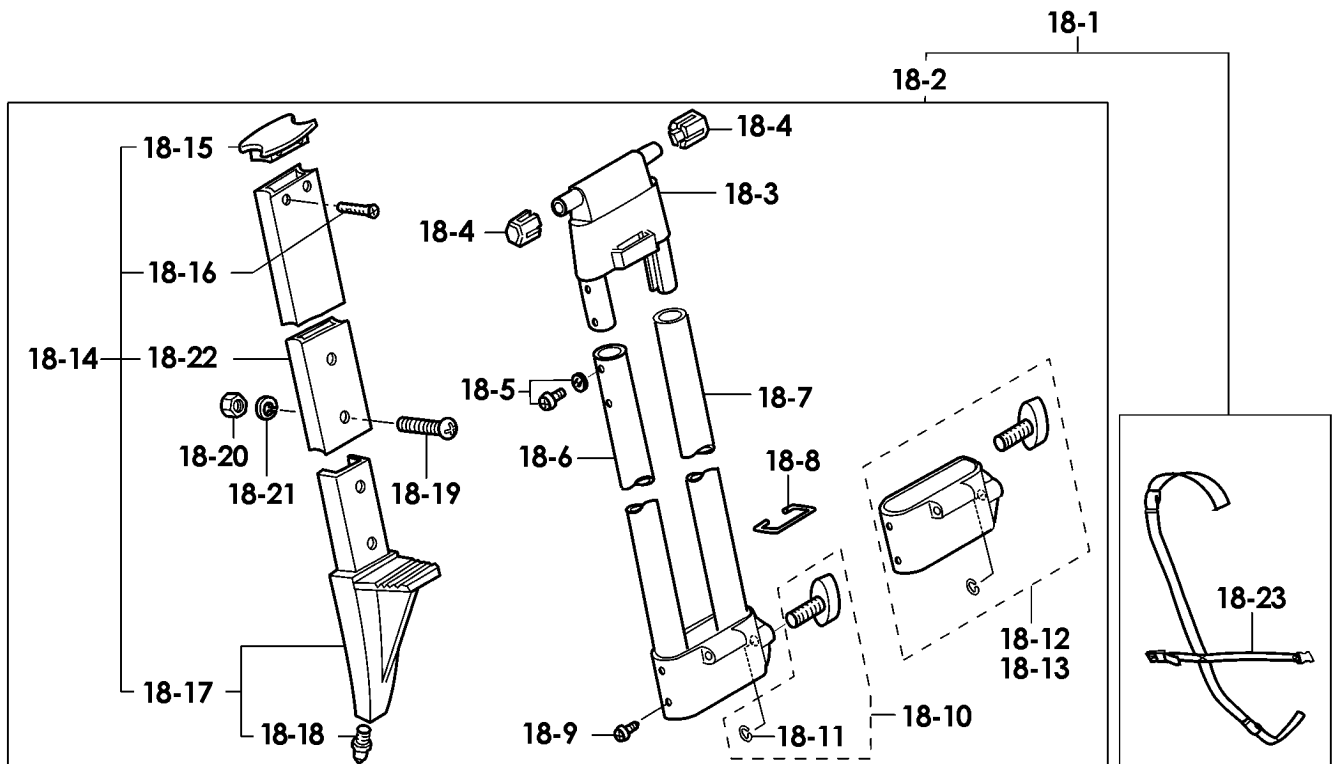
[Aluminum Extension Tripod PSA1]



Illust No.	Part Code	Part Name	Price	Note
17-1	PSA1-N0501-1	tripod head		
17-2	PSA1-0504	centering guide		
17-3	PSA1-N0502A	hinge holder A		
17-4	PSA1-N0502	hinge holder		
17-5	PFA1-108-22	screw, hinge holder	<i>P</i>	
17-6	PFA1-109-1	M8 washer	<i>P</i>	
17-7	11427-U07	centering bolt complete		
17-8	PFA1-N0510	centering knob cap	<i>P</i>	
17-9	PFA1-0306	plumb bob hook	<i>P</i>	

shoulder belt is made from cloth

[Aluminum Extension Tripod PSA1]



Illust No.	Part Code	Part Name	Price	Note
18-1	11425-U05-1	tripod leg complete w/shoulder strap		
18-2	11425-U06-1	tripod leg complete		
18-3	PFA1-T0201	hinge bracket		
18-4	PFA1-NT0202	nylon bushing	P	
18-5	PFA1-NF33	screw, leg dowel w/washer	P	
18-6	PFA1-NT02031	guide leg w/clamp frame hole		
18-7	PFA1-T0203	guide leg		
18-8	PFA1-T0212	hook	P	
18-9	PFA1-NF05	screw, clamp frame	P	
18-10	11425-U15	clamp screw complete		
18-11	PFA1-T0207W	E ring	P	
18-12	PFA1-NT0204A	clamp frame w/hook hole		
18-13	PFA1-NT0204B	clamp frame		
18-14	11425-U09	sliding leg (w/tripod shoe complete)		
18-15	PFA1-T0209	cap, sliding leg		
18-16	SK6540080F17	screw, 4.0x8.0mm	P	
18-17	11425-U13	tripod shoe complete		
18-18	PFA1-T0211	tripod shoe nail		
18-19	PFA1-T2217	bolt, tripod shoe	P	
18-20	PFA1-T2218	nut, tripod shoe	P	
18-21	PFA1-T2219	spring washer, tripod shoe	P	
18-22	PFA1-T2202	sliding leg		
18-23	PFA1-NT0215	shoulder belt		cloth